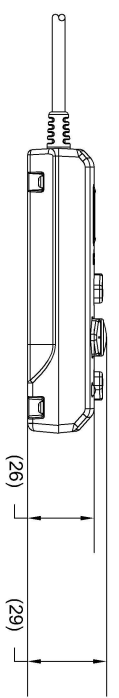
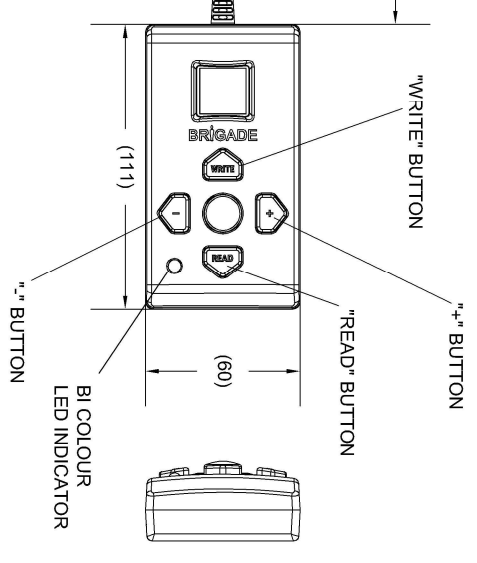
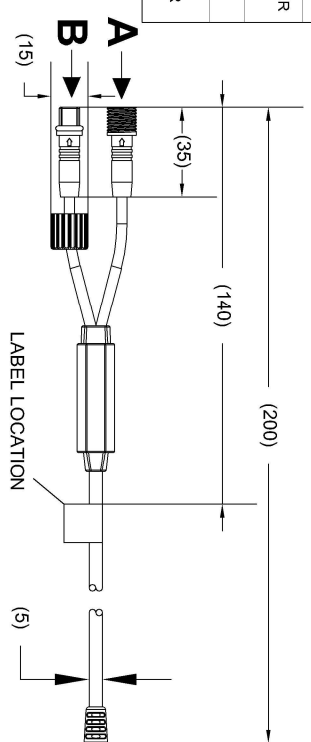
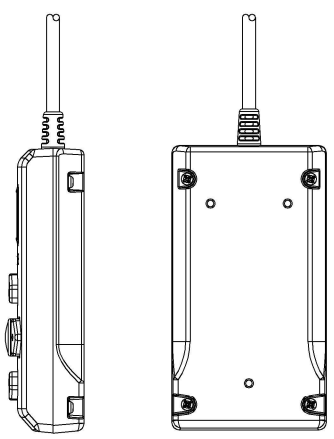


POWER CABLE	
PIN #	WIRE COLOUR   DESCRIPTION
1	BLACK   GND
2	RED   12/24V
3	NC

SENSOR CONNECTOR	
PIN #	WIRE COLOUR   DESCRIPTION
1	BLACK   GND
2	RED   12V
3	WHITE   SIGNAL

**BASIC OPERATION OF THE SSP-1000-CT-01 SENSOR PROGRAMMER**

1. CONNECT THE PROGRAMMER WITH THE POWER SOURCE AND SENSOR.
2. PRESS "READ" BUTTON TO CHECK SENSOR ID. THE ID NUMBER WILL BE DISPLAYED ON THE SCREEN.
3. PRESS THE "-" OR THE "+" BUTTON TO DECREASE OR INCREASE THE ID NUMBER RESPECTFULLY. (SEE NOTES 6 & 7 BELOW)
4. PRESS THE "WRITE" BUTTON TO FLASH NEW ID INTO THE SENSOR.
5. THE LED INDICATOR TURNS GREEN AND AUDIBLE BEEP SIGNIFYING SUCCESSFUL OPERATION. IF NOT, THE LED WILL FLASH RED AND THE SENSOR ID REMAINS UNCHANGED.



**NOTES:**

1. BODY MATERIAL: ABS PLASTIC.
2. COLOUR: BLACK.
3. SOFTWARE VERSION: SW-P138-MCU-01-00.
4. BRIGADE LOGO SILK SCREENED WHITE, FONT: ARIAL.
5. FOR PACKAGING & LABELING DETAIL REFER TO THE LATEST REVISION OF THE MASTER BOM.

**PROPRIETARY NOTICE**

THIS DESIGN AND TECHNICAL INFORMATION APPEARING ON THIS DRAWING IS THE PROPERTY OF BRIGADE ELECTRONICS, AND IS DISCLOSED IN CONFIDENCE. IT IS NOT TO BE COPIED, REPRODUCED, REVEALED TO OR APPROPRIATED BY OTHERS, EITHER IN WHOLE OR IN PART WITHOUT THE EXPRESS WRITTEN CONSENT OF BRIGADE ELECTRONICS.



Assembly PI Approval A.YAO	Approved by B. JOHN	Checked by C.WALKER	Released 17/11/20	Drawn by S.GOVENDER
Angle of Projection Third Angle	Units mm	Scale N/A	Released 17/11/20	Assembly Ref -
Status RELEASED	Part No 6162	SSP-1000SCT		